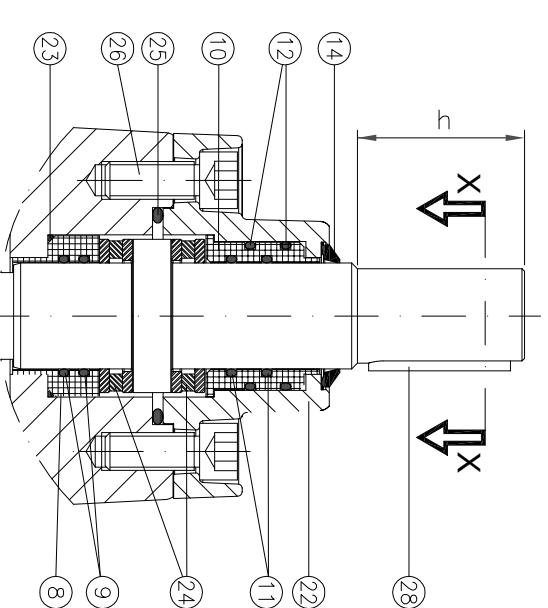


**SECTION X-X  
SECTION X-X**

DN	h	Øe	b	c	d	Cotter
350	73	30	26.2	33.2	8	8x7.5x6
400/450/500	71	42	37	45	12	12x8x60
600/700	95	42	37	45	12	12x8x70



\* THE MARKS 15 (HANDWHEEL) & 18 (SQUARE CAP) ARE OPTIONAL

DN	PN-10		PN-16		EN 558 (DIN 3202)		H	L	B	ØD1	Nr. Turns for closing	Weight (Kg)						
	ØG	ØK	N°xØd	ØD	ØG	ØK						N°xØd	S14	S15	S14	S15	S14	S15
350	429	460	16x23	520	429	470	16x28	290	550	812	260	506	600	51	190	213	190	213
400	480	515	16x28	580	480	525	16x31	310	600	905	290	606	800	58	274	311	274	311
450	530	565	20x28	640	548	585	20x31	330	650	1002	320	672	800	65	310	363	309	362
500	582	620	20x28	715	609	650	20x34	350	700	1054	358	748	800	72	398	445	396	443
600	682	725	20x31	840	720	770	20x37	390	800	1285	420	955	800	87	670	776	668	774
*700	794	840	24x31	910	794	840	24x37	---	900	1285	455	955	800	87	---	970	---	975

For VALVES with MAXIMUM WORKING PRESSURE of 16 bar

DN	PN-10		PN-16		EN 558 (DIN 3202)		H	L	B	ØD1	Nr. Turns for closing	Weight (Kg)						
	ØG	ØK	N°xØd	ØD	ØG	ØK						N°xØd	S14	S15	S14	S15	S14	S15
600	780	840	20x31	840	780	840	20x31	390	800	1285	390	955	800	87	---	553	---	---
*700	895	940	24x31	940	895	940	24x31	---	900	1285	447.5	955	800	87	---	815	---	---

\* The DN-700 valve is composed of a DN-600 valve plus two reductions DN-700/DN-600

28	COTTER	1	STEEL 8.8	EN ISO 898-1	DIN 912	NO
27	EYEBOLT	2	STEEL 8.8	EN ISO 898-1	DIN 580 (JS-500 Coating)	NO
26	BONNET-UPPER BONNET BOLT	4	STEEL 8.8	EN ISO 898-1	DIN 912 (GEOMET Coating)	NO
25	O RING BONNET-UPPER BONNET	1	NBR	ASTM D2000		NO
24	AXIAL BEARING ROLLER	2	STEEL			NO
23	O RING (LOWER PACKING)	1	EPDM	EN 681-1		YES
22	UPPER BONNET	1	GJS 500/7	EN 1563		NO
21	WEDGE GUIDES	2	PPS + 40%GF			YES
20	TAPE SQUARE	1	LUPOLEN			NO
19	SQUARE CAP BOLT	1	STEEL 8.8	EN ISO 898-1	DIN 912 (GEOMET Coating)	NO
18	SQUARE CAP	1	EN GJS 500/7	EN 1563		NO
17	HANDWHEEL WASHER	1	X5 CrNi 18 10	EN 10088	DIN 9021	NO
16	HANDWHEEL BOLT	1	X5 CrNi 18 10	EN 10088	DIN 933	NO
15	HANDWHEEL	1	STAMPED STEEL			NO
14	DUST GUARD	1	EPDM	EN 681-1		NO
13	BODY BONNET BOLT	os/DN	STEEL 10.9	EN ISO 898-1	DIN 912 (GEOMET Coating)	NO
12	O RING EXT. (UPPER PACKING)	2	NBR	ASTM D2000		NO
11	O RING INT. (UPPER PACKING)	2	NBR	ASTM D2000		NO
10	UPPER PACKING BUSHING	1	POM		ACETAL RESIN	NO
9	O RING (STEM)	2	EPDM	EN 681-1		YES
8	LOWER PACKING BUSHING	1	POM		ACETAL RESIN	YES
7	BODY BONNET GASKET	1	EPDM	EN 681-1		YES
6	WEDGE LOCK NUT	1	COPPER ALLOY	EN 12165	CW617N (CuZn40Pb2)	YES
5	STEM	1	X20 Cr13	EN 10088		YES
4	WEDGE COATING	1	EPDM	EN 681-1		YES
3	WEDGE	1	GJS 500/7	EN 1563		YES
2	BONNET	1	GJS 500/7	EN 1563		YES
1	BODY	1	GJS 500/7	EN 1563		YES
MARK	DENOMINATION	Nr. PIECES	MATERIAL	NORM	REMARKS	Contact with WATER
MODIFICACIONES MODIFICATIONS		REV. N°: 2	DIBUJADO DRAWN	COMPROBADO CHECKED		
ESCALA SCALE		MATERIAL: NORMA: PESO: WEIGHT:	A. AZPIAZU	M. MORENO		
SOFT SEALING GATE VALVE INFINITY		FECHA DATE	31/05/18			
DN-350/.../700 PN-10/16		N°PLANO: DRAWING N°: 547167000009W/ FIGURA: FIGURE: SUSTI. A: REPLACE TO: CODIGO: CODE:				

**BELGICAST**  
BY TALIS