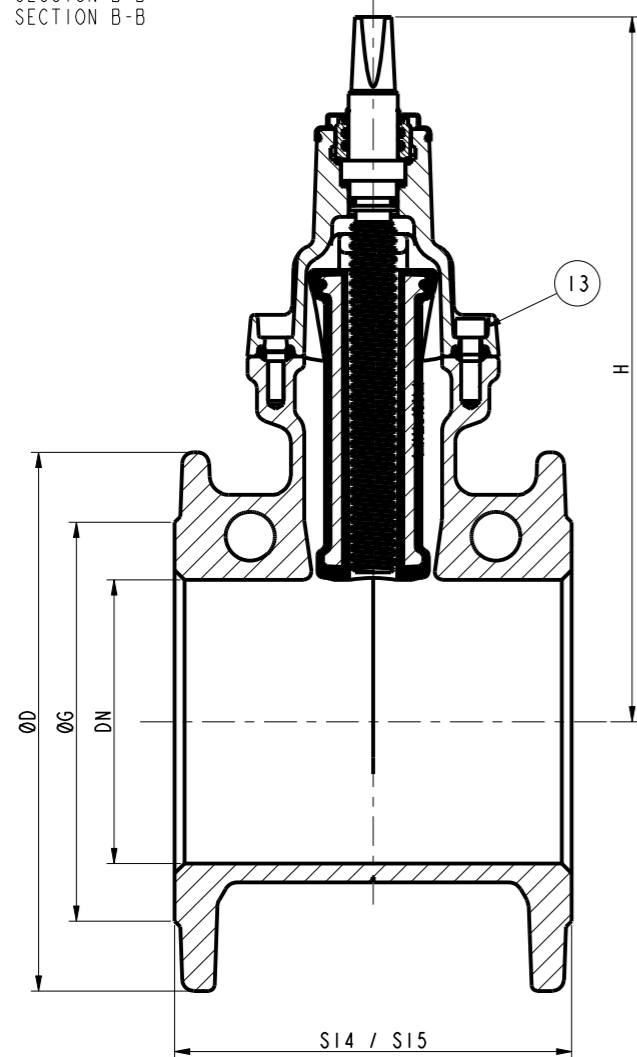
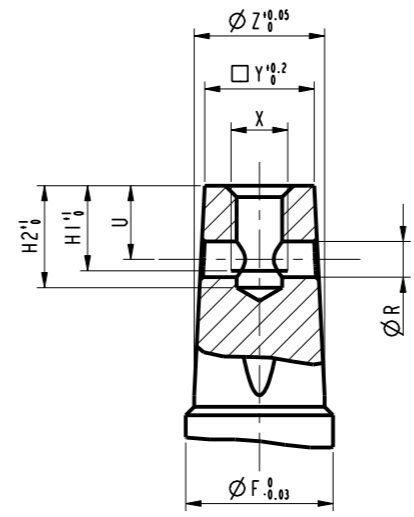
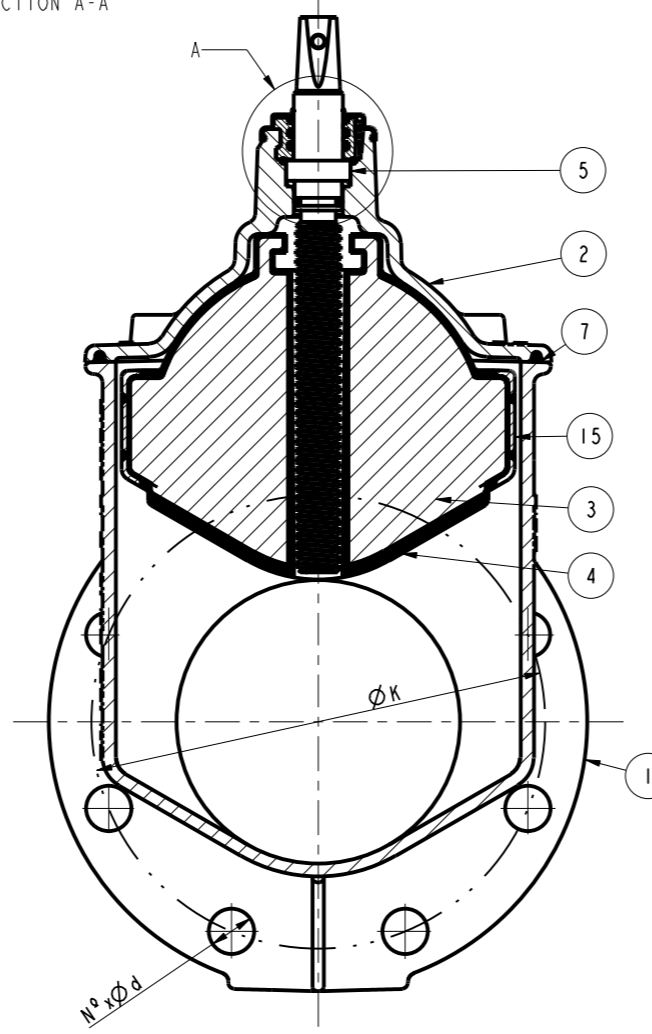


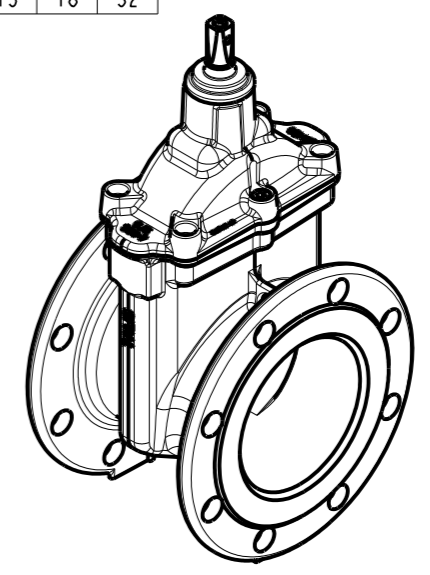
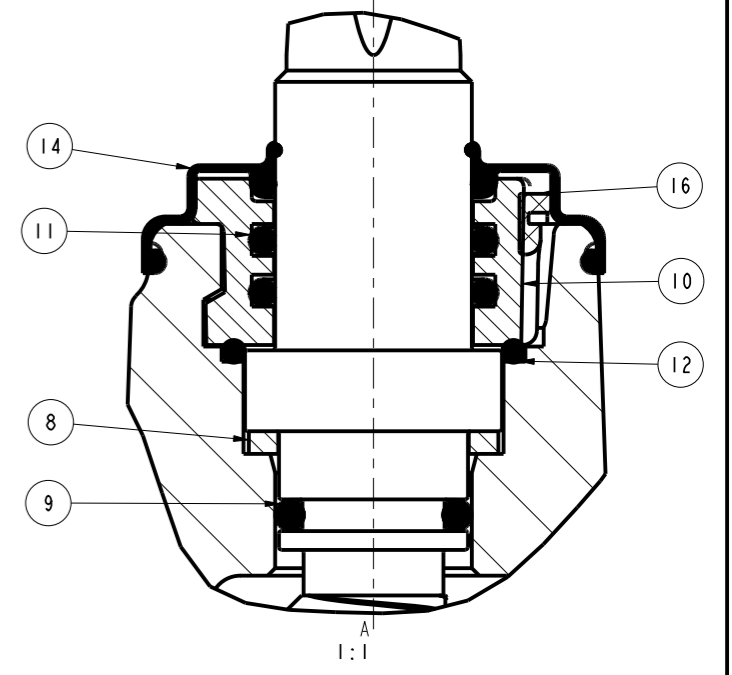
SECCION B-B
SECTION B-B



SECCION A-A
SECTION A-A



| DN | ØY | ØZ | ØR | U | X | H1 | H2 | ØF |
|---------|------|------|----|----|-----|----|----|------|
| 40/50 | 14.3 | 17 | 5 | 10 | M8 | 15 | 18 | 20 |
| 65/80 | 17.3 | 21 | 6 | 12 | M8 | 15 | 18 | 24 |
| 100 | 19.3 | 23 | 6 | 13 | M10 | 15 | 18 | 24 |
| 125/150 | 19.3 | 25 | 6 | 13 | M10 | 15 | 18 | 26 |
| 200 | 24.3 | 28.5 | 6 | 16 | M12 | 15 | 18 | 28.5 |
| 250/300 | 27.3 | 32 | 6 | 14 | M12 | 15 | 18 | 32 |



| DN | EN 1092-2 | | | | | | | EN 558 (DIN 3202) | | H | Nº Vueltas para cierre Nr. Turns for closing | PESO (Kg) WEIGHT (Kg) | |
|-----|-----------|-----|---------|-------|-----|-----|---------|-------------------|-----|-------|-------------------------------------------------|--------------------------|-------|
| | PN-10 | | | PN-16 | | | | S14 | S15 | | | F4 | F5 |
| | ØG | ØK | Nº x Ød | ØD | ØG | ØK | Nº x Ød | | | | | | |
| 40 | 84 | 110 | 4x19 | 150 | 84 | 110 | 4x19 | 140 | 240 | 170 | 11.5 | 6.9 | 7.5 |
| 50 | 99 | 125 | 4x19 | 165 | 99 | 125 | 4x19 | 150 | 250 | 184.5 | 14/14.5 | 8.2 | 8.95 |
| 65 | 118 | 145 | 4x19 | 185 | 118 | 145 | 4x19 | 170 | 270 | 227 | 14.75 | 12.45 | 13.4 |
| 80 | 132 | 160 | 8x19 | 200 | 132 | 160 | 8x19 | 180 | 280 | 250 | 17.75 | 14.1 | 16.35 |
| 100 | 156 | 180 | 8x19 | 220 | 156 | 180 | 8x19 | 190 | 300 | 287 | 21.5 | 16.45 | 18.2 |
| 125 | 184 | 210 | 8x19 | 250 | 184 | 210 | 8x19 | 200 | 325 | 324 | 27 | 23.25 | 25.8 |
| 150 | 211 | 240 | 8x23 | 285 | 211 | 240 | 8x23 | 210 | 350 | 368 | 31.5/32 | 28.15 | 31.65 |
| 200 | 266 | 295 | 8x23 | 340 | 266 | 295 | 12x23 | 230 | 400 | 450 | 41.5 | 49.5 | 56.45 |
| 250 | 319 | 350 | 12x23 | 400 | 319 | 355 | 12x28 | 250 | 450 | 546 | 43/43.5 | 71.45 | 82.45 |
| 300 | 370 | 400 | 12x23 | 455 | 370 | 410 | 12x28 | 270 | 500 | 621 | 51 | 99 | 116.5 |

| | | | | | |
|----|-----------------------------------------------|-------|------------|-----------|------------------------------|
| 16 | PEST. BLOQUEO/LOCKING TAB | 1 | -- | PA6_30GF | |
| 15 | GUIA CIERRE/WEDGE GUIDE | 2 | -- | POM_30GF | DN-40 & DN-50 WITHOUT GUIDES |
| 14 | GUARDAPOLVOS/DUST GUARD | 1 | EN 681-1 | EPDM | |
| 13 | TORNILLERIA CUERPO-TAPA/BODY BONNET BOLT | as/DN | EN 10213-2 | ACERO | 12.9 STEEL (1.0619) |
| 12 | J. TORICA/O-RING (TUERCA-TAPA/S. NUT-BONNET) | 1 | EN 682 | NBR | |
| 11 | J. TORICA/O-RING (TUERCA PRENSA/STUFFING NUT) | 2 | EN 682 | NBR | |
| 10 | TUERCA PRENSA/STUFFING NUT | 1 | EN 12165 | CW_307G | |
| 9 | JUNTA TORICA/O-RING (EJE/STEM) | 1 | EN 681-1 | EPDM | |
| 8 | ARANDELA/WASHER | 1 | | POM | |
| 7 | J. CUERPO-TAPA/BODY-BONNET GASKET | 1 | EN 681-1 | EPDM | |
| 6 | TUERCA CIERRE/WEDGE LOCK NUT | 1 | EN 12165 | CW_617N | |
| 5 | EJE / STEM | 1 | EN 10080 | X20_CR13 | |
| 4 | CIERRE VULC./WEDGE COATING | 1 | EN 681-1 | EPDM | |
| 3 | CIERRE/WEDGE | 1 | EN 1563 | GJS_500-7 | |
| 2 | TAPA/BONNET | 1 | EN 1563 | GJS_500-7 | |
| 1 | CUERPO FUND./CAST. BODY | 1 | EN 1563 | GJS_500-7 | |

| MARCA INDEX | DENOMINACION DENOMINATION | UNDS. QTY. | NORMA NORM | MATERIAL | OBSERVACIONES REMARKS |
|---------------------|------------------------------------------------------------------------------|------------|-------------|-------------------------------|-----------------------|
| MATERIAL | REV Nº 4 | FECHA/DATE | NOMBRE/NAME | FIRMAS/SIGN | |
| NORMA/NORM | DIBUJADO/DRAWN | 20/04/2016 | S. VIVANCO | | |
| PESO/WEIGHT *** Kg. | REVISADO/CHECKED | | M. MORENO | | |
| ESCALA/SCALE 1:4 | SOFT SEALING GATE VALVE/V. COMP. CIERRE ELASTICO INFINITY DN-40/300 PN-10/16 | | | Nº PLANO/DRAWING 54716300009V | CÓDIGO/CODE |